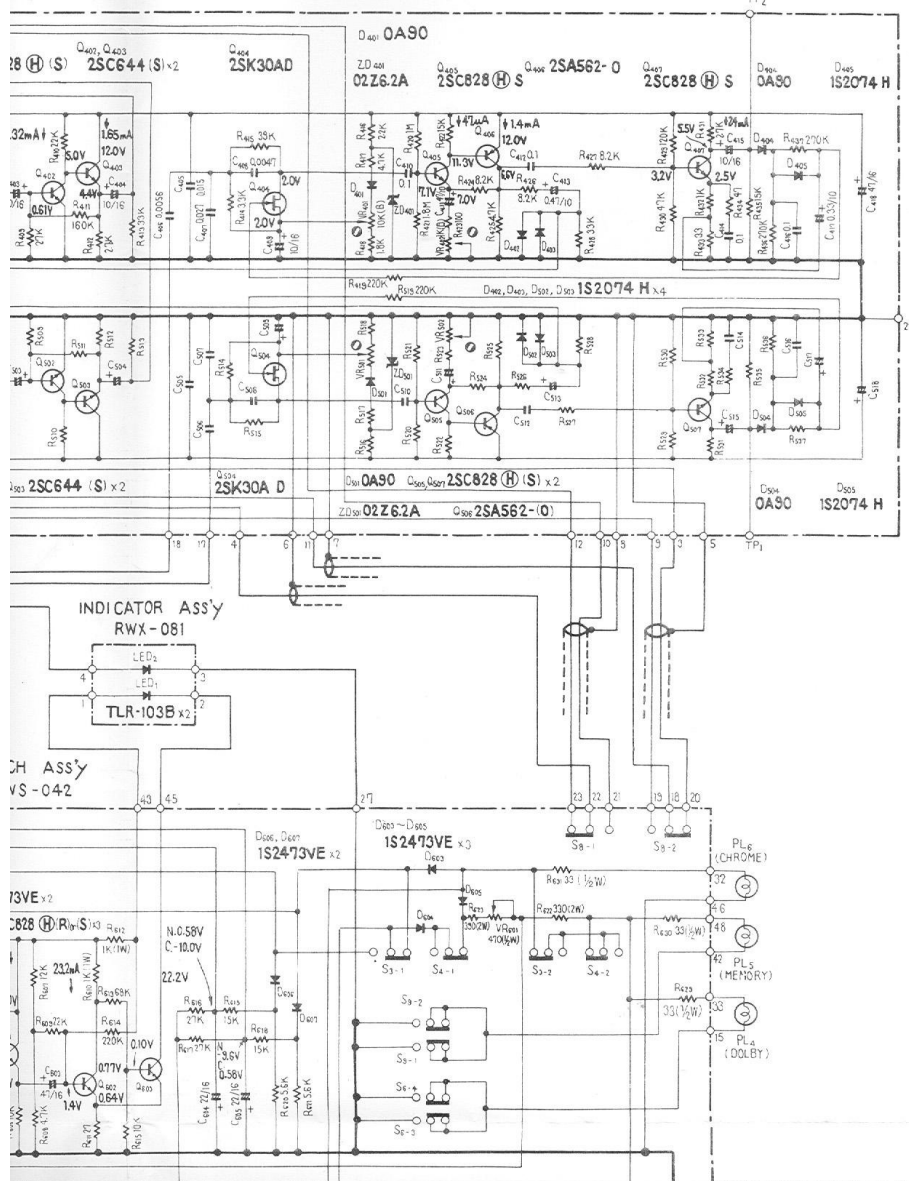
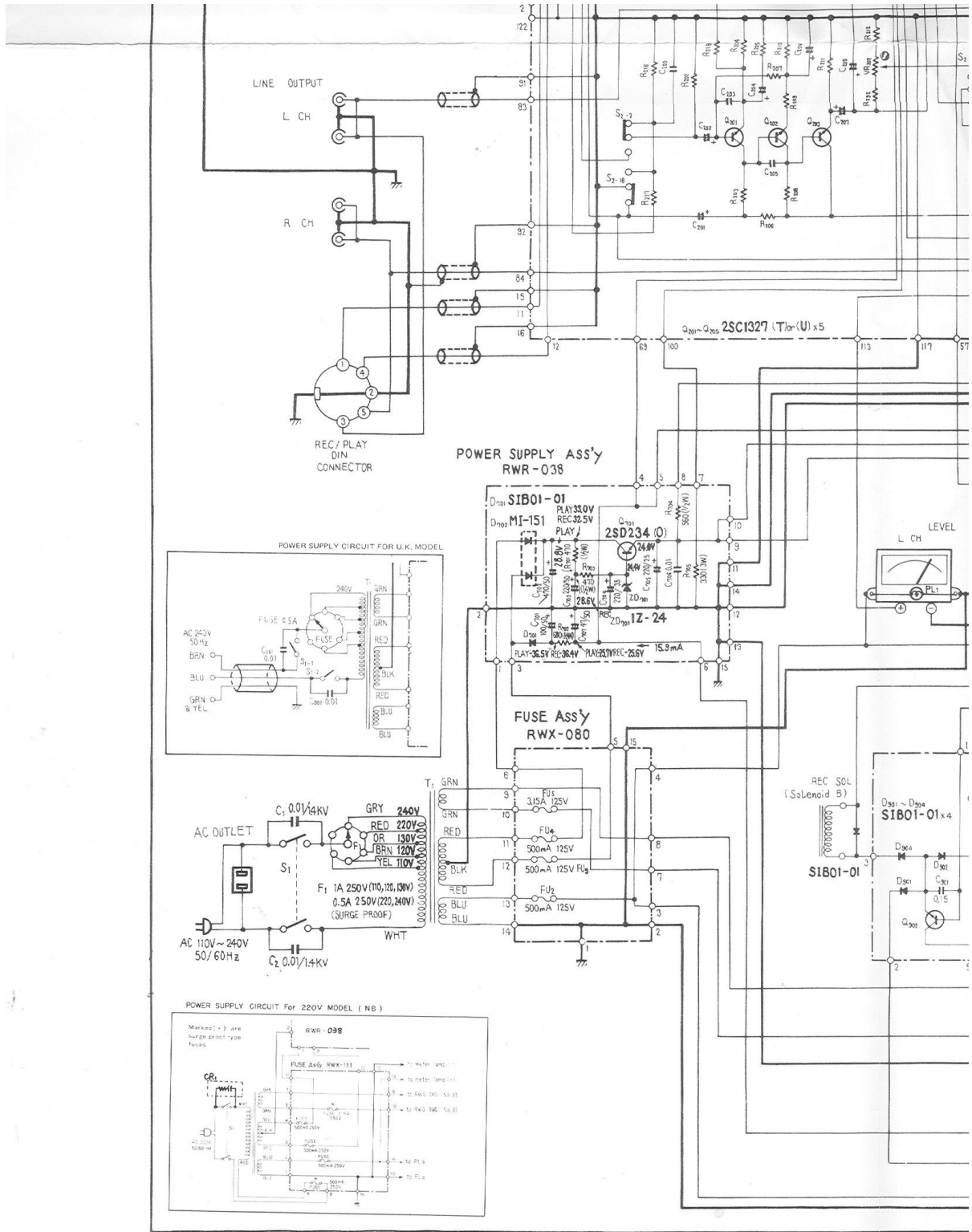
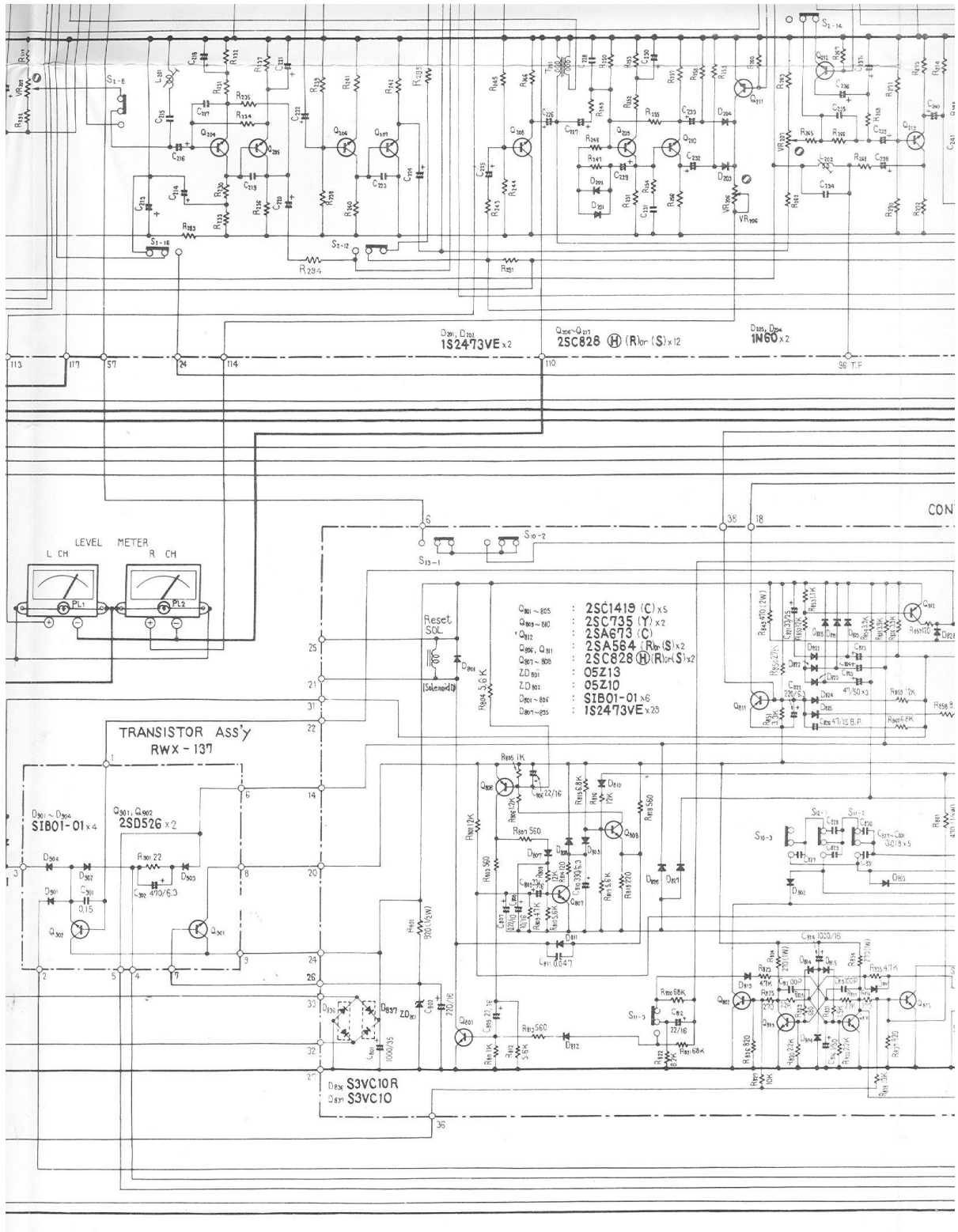


DOLBY Ass'y RWX-076



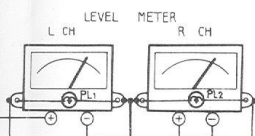




Q30, Q31
IS2473VE x2

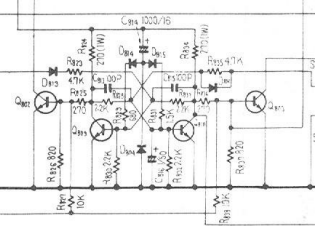
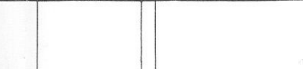
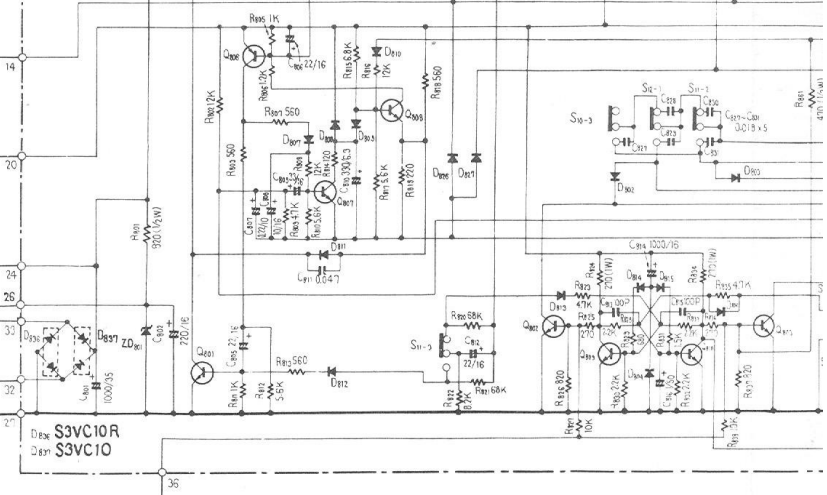
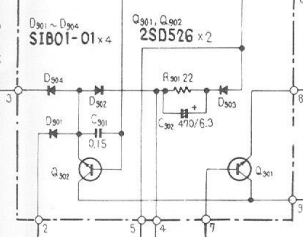
Q30, Q31
2SC828 (H) (R) (S) x12

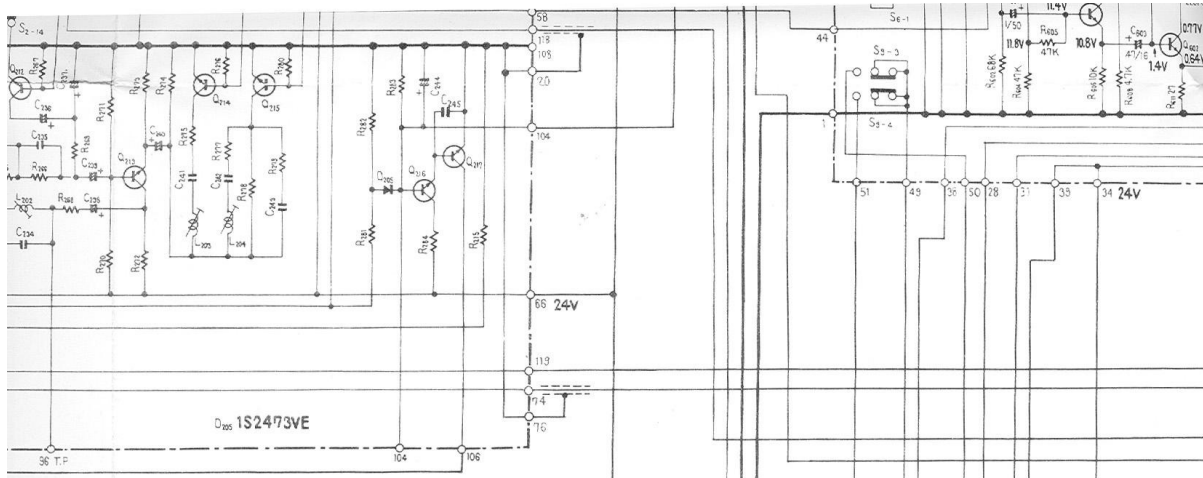
D20, D24
1N60 x2



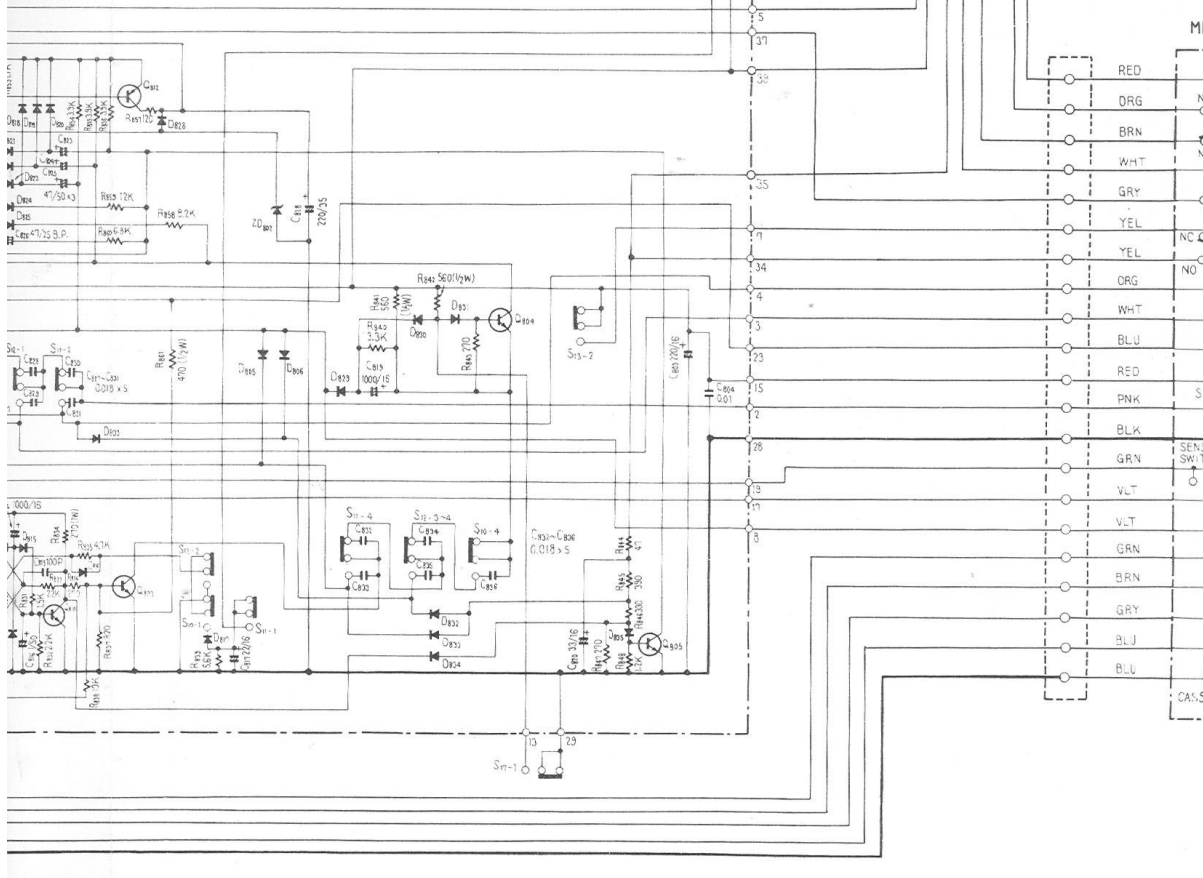
TRANSISTOR ASS'y
RWX-137

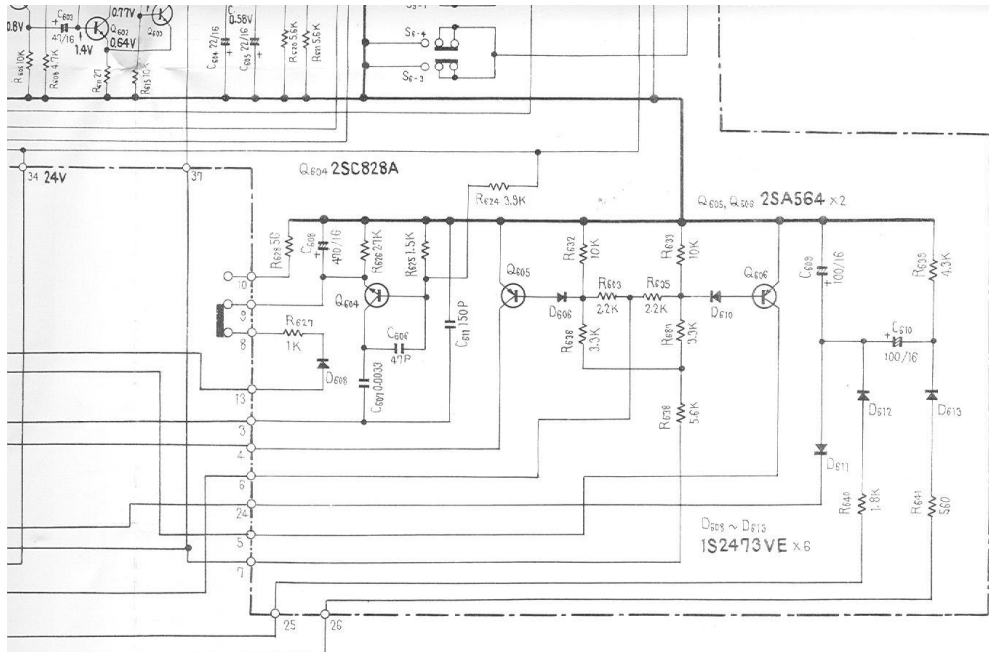
- | | |
|------------|-------------------------|
| Q101 - 805 | : 2SC1419 (C) x5 |
| Q103 - 806 | : 2SC735 (Y) x2 |
| Q110 | : 2SA673 (C) |
| D101, Q101 | : 2SA564 (R) (S) x2 |
| D102 - 808 | : 2SC828 (H) (R) (S) x2 |
| ZD101 | : 05Z13 |
| ZD102 | : 05Z10 |
| D101 - 805 | : S1B01-01 x6 |
| D101 - 805 | : IS2473VE x23 |



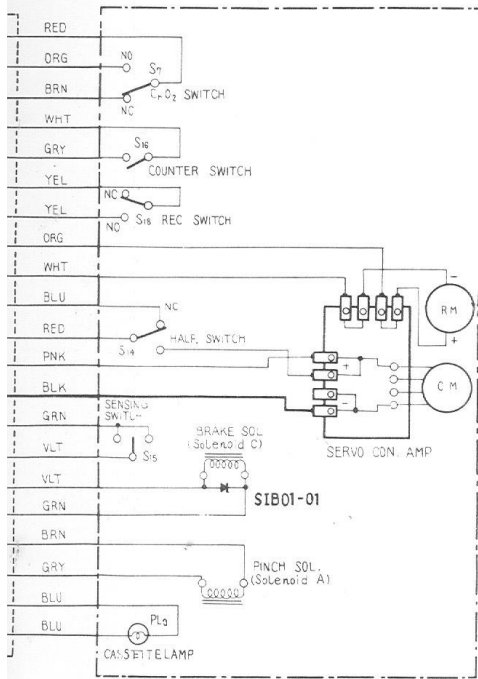


CONTROL Ass'y RWG-060





MECHANISM Ass'y MYM-032



RESISTORS
IN OHM, 1/4W, ±5% TOLERANCE UNLESS
OTHERWISE NOTED K: kΩ M: MΩ

CAPACITORS
IN μF UNLESS OTHERWISE NOTED P: pF

- SWITCHES
- S₁ : POWER SWITCH (OFF POSITION)
 - S_{2-1~18} : REC-PLAY SWITCH (PLAY POSITION)
 - S_{3-1~2} : EQ. SWITCH (CHROME POSITION)
 - S_{4-1~2} : BIAS SWITCH (CHROME POSITION)
 - S_{5-1~2} : LIMITER SWITCH (OFF POSITION)
 - S_{6-1~2} : DOLBY SWITCH (OFF POSITION)
 - S₇ : CHROME TAPE DETECTOR (NO HOLE POSITION)
 - S_{8-1~2} : MPX FILTER SWITCH (OFF POSITION)
 - S_{9-1~4} : MEMORY SWITCH (OFF POSITION)
 - S_{10-1~4} : PLAY SWITCH (OFF POSITION)
 - S_{11-1~4} : REW SWITCH (OFF POSITION)
 - S_{12-1~4} : FAST FORWARD SWITCH (OFF POSITION)
 - S_{13-1~2} : REC SWITCH (OFF POSITION)
 - S₁₄ : CASSETTE DETECTOR SWITCH (NO HOLE POSITION)
 - S₁₅ : SENSING SWITCH
 - S₁₆ : COUNTER SWITCH
 - S_{17-1~2} : PAUSE SWITCH (OFF POSITION)
 - S₁₈ : ERASE PREVENT DETECTOR SWITCH (NOT RECORDING POSITION)